

Toilet Bowl Exhaust System G-101 Bowl, G-7 Tank

Features

- 12" rough-in
- Vitreous china
- Elongated bowl
- Less seat and supply
- 1-7/8" glazed trapway
- 1.6 gpf (6 lpf)
- 17" high bowl is ADA compliant
- 9 1/4" x 9 1/4" water area

Codes/Standards Applicable

Specified model meets or exceeds the following:

- ASME A112.19.2
- ASME A112.19.6
- IAPMO/UPC
- CSA B45
- ADA

Specifications

- Water Pressure Range: 20 to 80 Static P.S.I.
- Water Usage: 1.6 Gpf/6.0 Lpf
- Trap Diameter: 1-7/8"
- Shipping Dimensions Model G-101 Bowl: L 31" x H 19 1/2" x W 16 1/2"
- Shipping Dimensions Model G-7 Tank: L 20 1/2" x H 15" x W 10"
- Weight: Model G-101 Bowl 62lbs
- Weight: Model G-7 Tank 35lbs



Colors/Finishes

- White
- Standard colors increase price by 20%

Two Piece Toilet

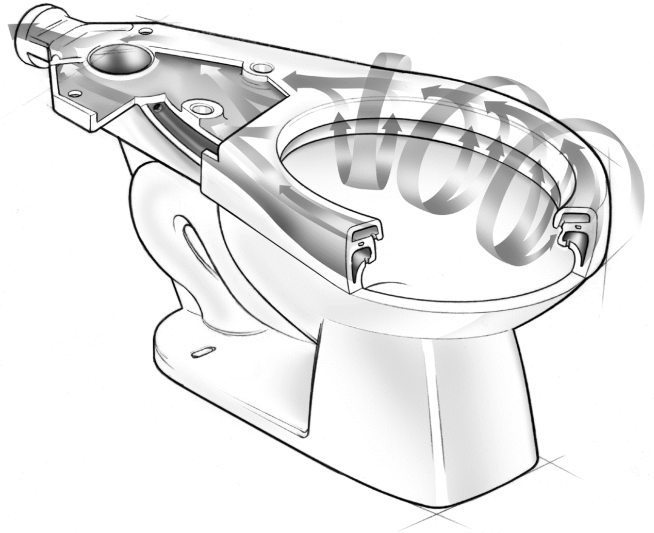
Technical Information

- Fixture: Configuration 2-piece, elongated
- Flow rate 1.6 gpf (6 lpf)
- Passageway 1-7/8"
- Water area 9 1/4" x 9 1/4"
- Seat post hole centers 5-1/2"

Included Components

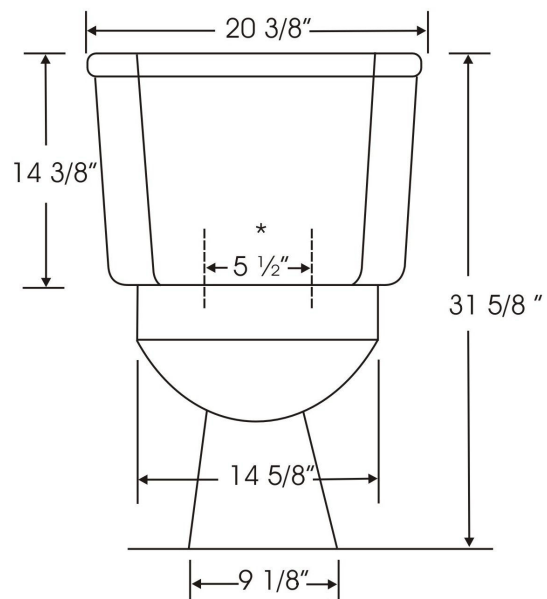
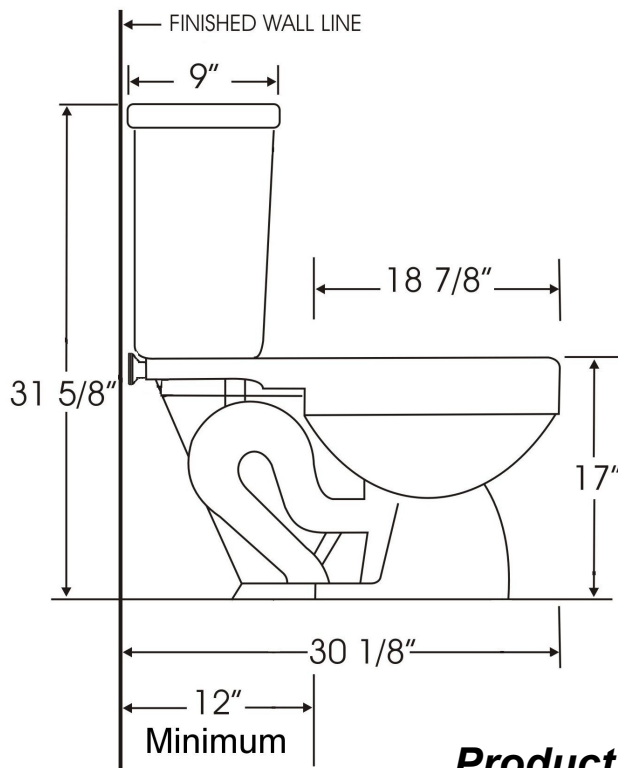
- Tank cover
- Trip lever, left side
- Bolt cap accessory pack
- Tank accessory pack
- Josh Coupler (links exhaust port to extend and shape coupler)
- Alternate seat bolts 2 1/2"

Toilet Bowl Exhaust System G-101 Bowl, G-7 Tank



Installation Notes

Install this product according to the installation guide and installation instructions. See installation instructions in the "download section" at www.tb.es.net.



Product Diagram

NOTE: These dimensions are nominal and are subject to change without prior notice. Rough-in 12" minimum.